

# ) EYE-LCD-5500-LE-WP

Weatherproof eyevis LCD Series  
with Edge-LED Backlight

## ) PRODUCT DESCRIPTION

### eyevis' new 55" Full-HD Edge-LED LCD Monitor for Outdoor Applications

With the new EYE-LCD-5500-LE-WP eyevis presents a professional, ruggedized IP56 rated LCD monitor for installations in demanding environments. The device is protected against dust and water entering the housing and can be operated in wide temperature range.

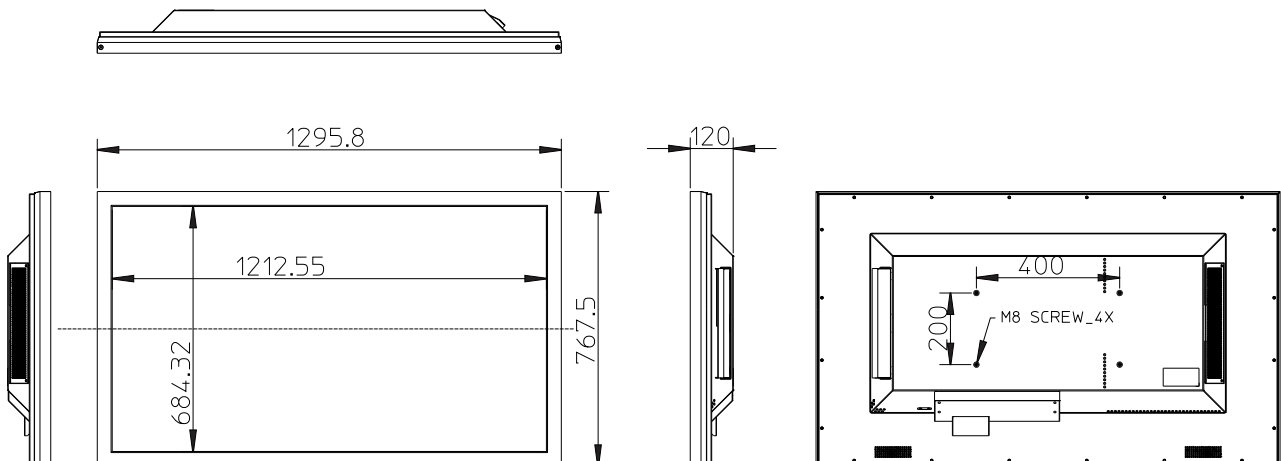
At the same time the display provides bright and crisp images thanks to a special bonding treatment of the protective surface. With its integrated speakers, the display is the ideal solution for the presentation of images and sound in dusty and humid environments like industrial areas, passenger hubs, or even leisure centres and water parks.

## ) ADVANTAGES OF THE EYE-LCD-5500-LE-WP

- ) **Weatherproof IP56 Rating**
- ) **Slim, High Brightness Edge-Lit LED LCD Monitor**  
Full-HD 1080p (1920 x 1080) & 600 nits
- ) **Wide Compatibility**  
Extensively tested with a broad variety of analog/digital PC and video modes
- ) **IRFM™**  
IRFM technology helps prevent image retention
- ) **Heat-Dissipating Aluminum Housing**
- ) **Wide Temperature Range**  
-20°C to +45°C
- ) **D-LaB Liquid Glass Bonding with DuPont Vertak Technology**
  - 4mm tempered glass
  - Anti-reflection, anti-IR coatings
  - Vandal resistant
- ) **DACS Cooling & Filtration System**  
Lifetime ruggedized membrane filter
- ) **Integrated Waterproof Speakers**
- ) **Enhanced Connectivity**
  - DisplayPort, HDMI, DVI, VGA, Video, Audio
  - RS-232 control interface
- ) **Landscape & Portrait Compatible**



## ) DIMENSIONS



# ) EYE-LCD-5500-LE-WP



Weatherproof eyevis LCD Series  
with Edge-LED Backlight

## ) TECHNICAL SPECIFICATIONS

### ) LCD Panel

Brightness	600 cd/m <sup>2</sup>
Contrast Ratio	4000:1
Viewing Angle	H:178° / V:178°
Response Time	10 ms (GTG)
Supported Colors	1.07 G Colours
Display Resolution	1920 x 1080 (16:9)
Display Frame Rate	120Hz
Portrait / Landscape	Portrait and Landscape Compatible

### ) Signal Compatibility / Connectivity

Horizontal / Vertical Frequency	23 ~ 92 KHz / 49 ~ 86 Hz (Analog) 15 ~ 94 KHz / 23 ~ 85 Hz (Digital)
Input Resolution	1920 x 1080 @ 60Hz (Analog) 1920 x 1080 @ 60Hz (Digital)
Connector	1x DisplayPort / 2 x HDMI 1.3c / 1x VGA / 1x DVI / 1x Component / 1x S-Video / 1x AV
Audio Out	Line Out
Communication Port	RS232C In

### ) Mechanical

Dimensions w/o Stand (WxHxD)	1295.8 x 767.5 x 120 mm (51.02 x 30.22 x 4.72 inch)
Weight	Net: 50 kg (110 lbs) Gross: 55 kg (121 lbs)
Wall / Arm Mount Type	400 x 200mm VESA

### ) OSD Functions

OSD Control	RS232C, IR Remote Controller
OSD Language	English, Chinese
Multimedia Function	PIP, PBP (side by side), Zoom
Source Auto Detect Function	Yes

### ) Electrical

Power Supply	AC 100V ~ 240V (50/60 Hz)
Normal Operation	≤ 255W (typ.)
Power Off	≤ 1 W (typ.)
Internal Speakers	4Ω/10 Wx2

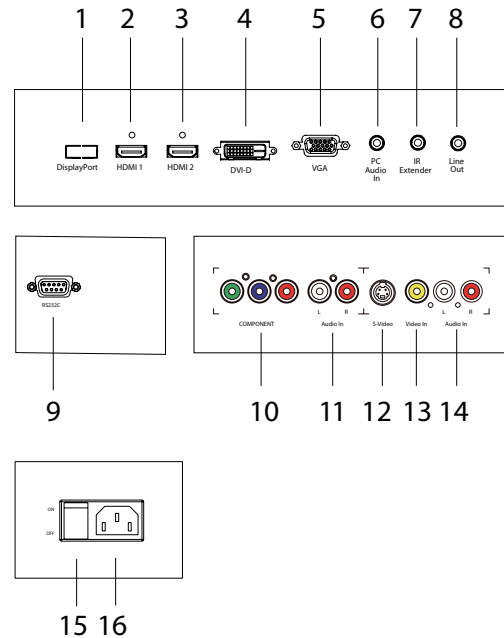
### ) Environmental

Waterproof	IP56 rated
Operating Temperature	-20°C ~ 45°C
Storage Temperature	-30°C ~ 60°C

### ) Options

Other	Metal Stands, Wallmounts
-------	--------------------------

## ) INPUTS & OUTPUTS



1. DisplayPort
2. HDMI 1
3. HDMI 2
4. DVI-D
5. VGA
6. PC Audio In
7. IR Extender
8. Line Out
9. RS232C
10. Component
11. Audio In (Component)
12. S-Video
13. Video
14. Audio In (S-Video/Video)
15. Power Switch
16. AC In



eyevis GmbH

Hundschleestrasse 23 • 72766 Reutlingen • Germany  
Phone: + 49 (0) 7121 43303 - 0 • Fax: + 49 (0) 7121 43303 - 22  
www.eyevis.de • info@eyevis.de

As at: 07.10.2012/V1.0 • Subject to change!

All trademarks and registered trademarks are the property of their respective owners. Copyright © 2012 eyevis GmbH. All rights reserved.