



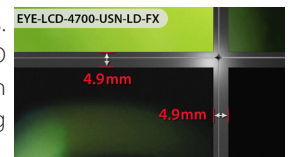
EYE-LCD-4700-USN-LD-FX

47" VIDEO WALL LCD WITH 4.9 mm BEZEL
AND DIRECT-LED BACKLIGHT



) PRODUCT DESCRIPTION

The EYE-LCD-4700-USN-LD-FX is eyevis' latest display for the assembly of ultra-super narrow bezel video wall installations. The display provides a screen diagonal of 47 inch (ca. 119 cm), Full-HD resolution with 1920x1080 pixels and Direct-LED backlight technology. The device features the eyevis-typical robust housing design and enables a mechanical bezel in a video wall that adds up to only 4.9 mm. The newly developed electronics offer an optionally activatable non-sticking mode which prevents burn-in effects or image sticking effects caused by the prolonged representation of static images.



) INNOVATIVE FEATURES

▪ 4K Loop-Through

The new internal matrix scaler of the displays enables a loop-through of signals with up to 4K resolution.

▪ Simple Firmware Updates

The firmware of the displays can easily be updated. All displays within a video wall can be updated at once.

▪ Reliable 24/7 Operation

All components designed for professional use in long-term operation.

▪ Durable and Professional Design

All metal structure, sleek & low-key look that makes the content stand out.

▪ Landscape or Portrait Installation

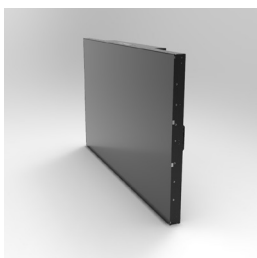
▪ Non-Stick Mode (optionally activatable)

To reduce potential image sticking effects three different mechanisms are built in and can be activated via OSD:

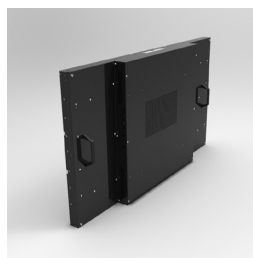
- **Pixel Shifting** constantly moves the entire image by one pixel.
- The intelligent **Soft Picture Mode** smoothens extreme contrast transitions to avoid boundary line image sticking.
- **Dynamic Pixel Refreshing** randomly changes individual pixels for a very short time so that it is not visible for the human eye at all but reduces the risk of image retention through static images considerably.

The Non-Stick Mode can be activated for static content and deactivated for motion content.

) IMAGES



Front View

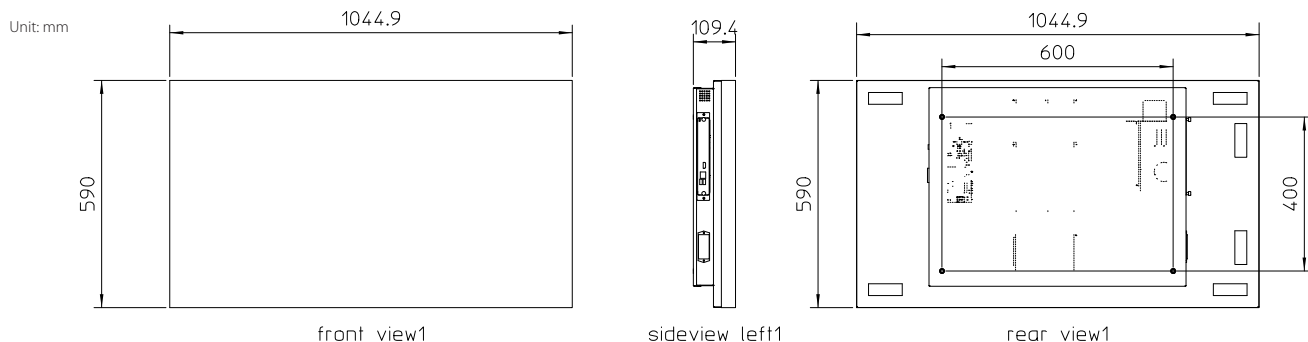


Rear View



Application

) DRAWING





EYE-LCD-4700-USN-LD-FX

47" VIDEO WALL LCD WITH 4.9 mm BEZEL AND DIRECT-LED BACKLIGHT

) TECHNICAL SPECIFICATION

LCD PANEL

Model Name:	EYE-LCD-4700-USN-LD-FX
Screen Diagonal:	47 inch (ca. 119 cm)
Active Screen:	1039.7 × 584.8 mm (W×H)
Display Resolution:	1920 × 1080 Pixel (full HD)
Display Mode:	Transmissive Mode, Normally Black
Colours:	1.07 G (10-Bit Colour Processing)
Brightness:	450 cd/m ² (typ.)
Contrast:	1200 : 1 (typ.)
Response Times:	12 ms (typ.)
Viewing Angle:	178° H/V
Installation:	Landscape or Portrait Installation possible
Backlight:	Direct LED
Backlight Life-Time:	> 50,000 hours (brightness <50%)
System MTBF:	> 50,000 hours
24/7 Operation ¹ :	Yes

CONNECTORS & CONTROL

Inputs ² :	Video, Y/C, DVI-I (digital/analog), HDMI, DisplayPort, RS232
Outputs ² :	DisplayPort
HDCP Support:	DP & DVI: HDCP 1.2 / HDMI: HDCP 1.4
Internal Matrix:	Yes / 10 × 10

MECHANICAL

Abmessungen Display:	1045 × 590 × 109.4 mm (W×H×D)
Bezel Width:	Mechanical: 1.7 mm b/r/, 3.2 mm t./l. (Active-to-Active: 5.2 mm)
Weight:	24 kg
VESA Mount:	400 × 600

OPERATING CONDITIONS

Power Consumption:	140 Watt
Input Voltage:	100V – 240V AC, 50/60 Hz
Operating Temperature:	typ. 0 - 40 °C
Operating Humidity:	typ. 10-80 % RH (not condensing)

OTHER

Handling:	Handles for simple and safe transport and installation
Cooling:	Fanless design

OPTIONS

Front-Service Option:	✓ (Front-Service Halterung für Quer- oder Hochformat Montage)
Colour Adjustment:	✓ (EYE-LCD-CAS colour adjustment system)
Touch:	✓ (Custom infrared touch overlay for video walls)
OPS Slot:	✓ (OPS standardized input slot for OPS-PC and additional inputs)

ORDERING INFORMATION

Article-ID:	21320 -> EYE-LCD-4700-USN-LD (standard version)
	22027 -> EYE-LCD-4700-USN-LD-OPS (version with activated OPS-function. Note: OPS-options need to be ordered separately)

) THE ADVANTAGES AT A GLANCE

- 47" screen diagonal (ca. 119 cm)
- Full HD resolution (1,920 × 1,080 Pixel)
- Bezel-to-Bezel: 4.9 mm
- Direct LED backlight for uniform illumination and brilliant colours
- Optimised power consumption
- Internal matrix function for signals and control
- Robust metal design for demanding applications

) APPLICATIONS

- Control Rooms (e.g. for Video Surveillance)
- Board Rooms
- Show Rooms
- Conference Rooms
- POS/POI
- Trade Fairs / Events
- Trading Rooms

) OPTIONAL ACCESSORIES

OPS MODULE

Features:

- OPS-standard compliant eyevisProcessingUnit embedded in the device. The powerful EPU-versions can be used as digital signage players or to integrate the display device in eyevis' unique MetaWall concept for IP-based signal distribution and control



HD_{BASE}T MODULE

Features:

- Use of Cat5e/Cat6 Ethernet cable with standard RJ-45 connector for video/audio/control/power transmission.
- Easy Install (Intel OPS Architecture Compliant)

3G-SDI MODULE

Features:

- Internal 3G/HD/SD-SDI Board
- Supported 3G formats (SMPTE 424M) 1080p@50/60Hz
- Looping out to other display
- Easy Install (Intel OPS Architecture Compliant)

FRONT-SERVICE WALL MOUNT



EYE-WHLCD-FS-QR-65-LAND
for Landscape installations



EYE-WHLCD-FS-QR-65-POR
for Portrait installations

¹ When observing required terms and condition of operation

² Possible for signals up to 4K if supported by the signal source/graphic card on output side