



) EYE-LCD-4600-LE-V2

eyevis LCD Series
with Edge-LED Backlight

) PRODUCT DESCRIPTION

eyevis' new 46" Full-HD Edge-LED LCD Monitor
The new EYE-LCD-4600-LE-V2 display represents the latest version from eyevis professional edge-LED display versions. It combines ultra-high resolution, unparalleled image quality with a slim design and low consumption for a wide range of digital signage and control-room application.

With eyevis' unique optical enhanced treatment, it not only provides clear viewability, but also ensures added durability and strength in almost every ambient light condition.

Thanks to the plain design the displays are the ideal surface for the presentation of your image content.

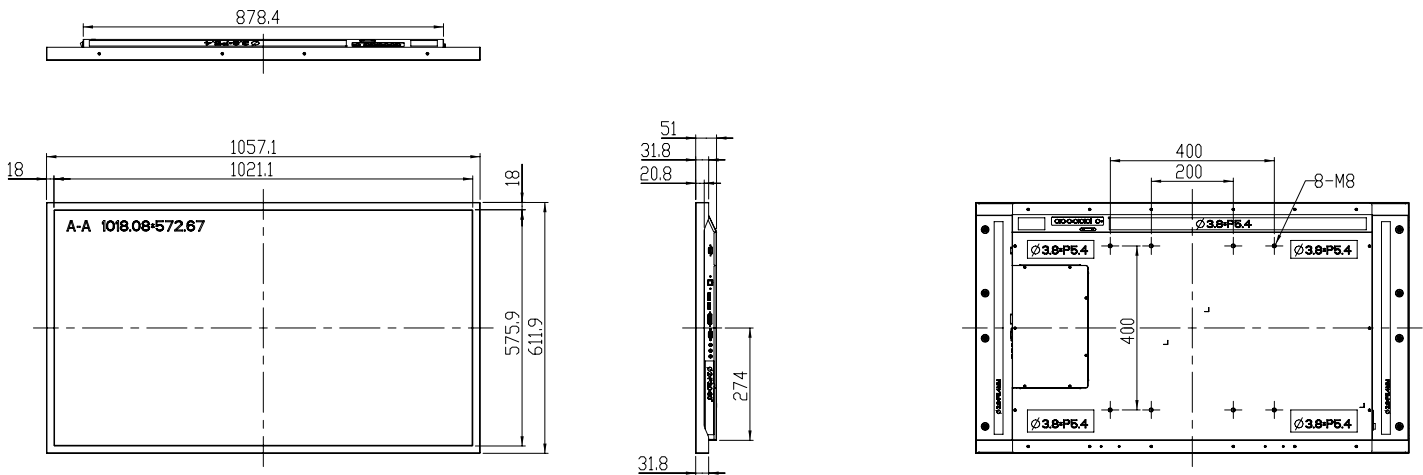
) ADVANTAGES OF THE EYE-LCD-4600-LE-V2

-) Superior Resolution & Image Representation**
Full-HD 1080p (1920 x 1080)
-) Ultra-Wide Viewing Angle**
178 degree viewing angle horizontally & vertically
-) IRFM™**
Image Retention Free Modulator technology helps prevent image retention.
-) Energy Saving Control**
Active ambient light sensor that adjusts brightness automatically

-) Wide Compatibility**
Extensively tested with a broad variety of analog/digital PC and video modes.
-) Durable and Professional Design**
All metal structure, Sleek & low-key look that makes the content stand out.
-) Landscape and Portrait installation**



) DIMENSIONS



Unit: mm

) EYE-LCD-4600-LE-V2



) TECHNICAL SPECIFICATIONS

) LCD Screen

Brightness	500 cd/m ²
Contrast Ratio	4000:1
Viewing Angle	H:178° / V:178°
Response Time	6.5 ms (GTG)
Supported Colors	1.07 G Colours
Display Resolution	1920 x 1080 (16:9)
Display Frame Rate	60Hz
24/7 Operation [®]	Yes (recommended operation: 20/7)

) Signal Compatibility / Connectivity

Horizontal / Vertical Frequency	23 ~ 92 KHz / 49 ~ 86 Hz (Analog) 15 ~ 94 KHz / 23 ~ 85 Hz (Digital)
Input Resolution	1920 x 1080 @ 60Hz (Analog) 1920 x 1080 @ 60Hz (Digital)
Connector	1x DisplayPort / 2x HDMI 1.3c / 1x DVI / 1x VGA / 1x PC Audio In / 1x IR Extender
Audio Out	Audio Out / Speaker Out
Communication Port	RS232C In

) Mechanical

Dimensions	1057.1 x 611.9 x 51 mm
Bezel Width	18 mm
Weight	22.7 kg
Wall / Arm Mount Type	400x400mm/ 400x200mm VESA
Fanless Design	Yes

) OSD Functions

OSD Control	RS232C, Push Button, IR Remote Controller
OSD Language	English, Chinese
Multimedia Functions	PIP, PBP (side by side), Zoom
OSD Key Lock	Yes
Source Auto Detect Function	Yes

) Electrical

Power Supply	AC in: AC 100V ~ 240V (50/60 Hz)
Normal Operation	≤ 145 W (typ.)
Power Off	≤ 0.5 W (typ.)
Internal Speakers	4Ω/10 Wx2

) Environmental

Operating Temperature	0° - 35°, 35% - 85% RH
Storage Temperature	-20° - 60°, 35% - 85% RH

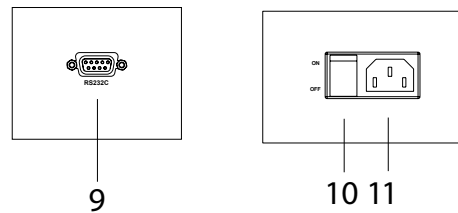
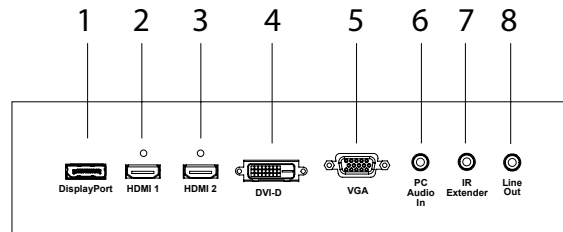
) Options

Touch	Optical Touch
Installation	Metal stands, carts, wall-/ceiling-mounts
Custom Housing	Customizable frame colours

) Order information

Article Number	18307
----------------	-------

) INPUTS & OUTPUTS



1. DisplayPort
2. HDMI 1
3. HDMI 2
4. DVI-D
5. VGA
6. PC Audio In
7. IR Extender
8. Line Out
9. RS232C
10. Power Switch
11. AC In

[®]Electronic components designed for 24/7 operation. Prolonged display of static image contents may affect the display quality of the device. These effects do not affect the functionality of the device and are therefore not considered as defects in terms of our warranty conditions.



eyevis GmbH

Hundschleelestrasse 23 • 72766 Reutlingen • Germany
Phone: + 49 (0) 7121 43303 - 0 • Fax: + 49 (0) 7121 43303 - 22
www.eyevis.de • info@eyevis.de

As at: 21.05.2013/V1.2 • Subject to change!

All trademarks and registered trademarks are the property of their respective owners. Copyright © 2012 eyevis GmbH. All rights reserved.